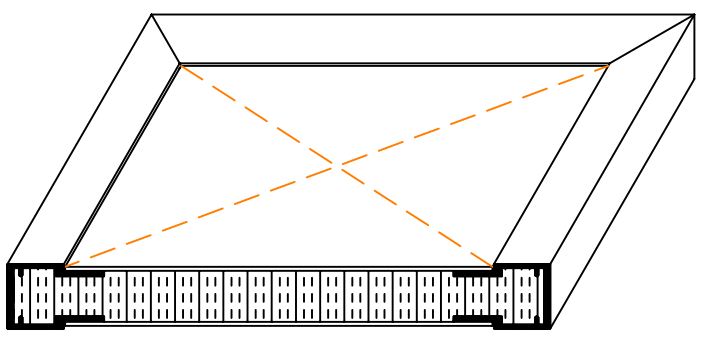
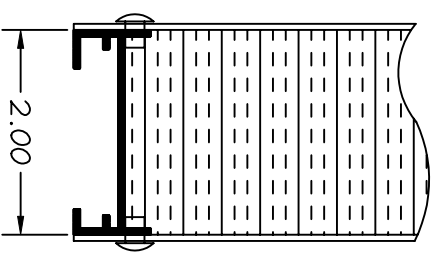


ELEVATION

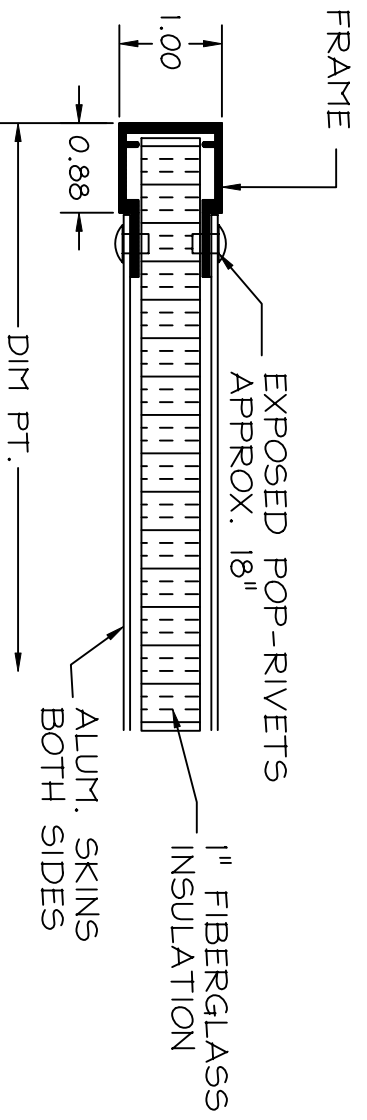


ISOMETRIC VIEW

1" OR 2" INSUL. B/OFF PNLS
 FRAME: .063" THK. EXTRUDED
 ALUM. 6063-T52
 SKINS: .050" THK. 5052-H32
 INSULATION: 1" OR 2" FIBERGLASS
 FINISH: MILL
 OPTIONAL
 AVAILABLE IN GALVANIZED OR
 STAINLESS STEEL



(2") OPTIONAL



SECTION - "A"

REV.	DESCRIPTION	DATE	BY

ARCH/ENGR: _____ CUSTOMER: _____

PROJECT: BLANK-OFF PANELS TITLE: _____

DATE: 2/18/09 DRAWN: DRWG #: _____

CHKD: _____

SAFE AIR
DOVCO

DEPENDABLE PRODUCTS
 SINCE 1955
 708-652-9100 FAX-652-9158
 1955 SOUTH 54TH AVENUE, CICERO, IL. 60640